



Liebert™ ITA

5-40 kVA

Compact, Efficient, and
Reliable Power Solution



Liebert® ITA™ 5-40 kVA

Compact, Efficient, and Reliable Power Solution



FEATURES

- IGBT Based Rectifier
- Advanced DSP Based Technology
- 0.9 output power factor
- Double conversion efficiency up to 95%
- ECO mode efficiency up to 98.5%
- Input Power factor up to 0.99
- Total Current Harmonic Distortion (THDi) < 5%
- High capacity battery charger
 - 10-20kVA ~ 4.5kW
 - 30-40kVA ~ 6kW
- Dynamic Design; Rack/Tower convertible
- ITA 5-20kVA scalable up to 4 units in N+X configuration
- Integrated parallel load bus and synchronization port (LBS)
- Phase compatibility
 - 5/6/10kVA: 1/1 or 3/1 phase
 - 20kVA: 3/1 or 3/3 phase
 - 30-40kVA: 3/1 or 3/3 phase
- Comprehensive value added options including LPD, UPD etc
- Easy site installation and configuration

*Available in ITA 20/30/40kVA

Liebert ITA is a full featured transformer free scalable UPS designed to offer compact, efficient and reliable power to power thirsty modern electronic gadgets. It features double conversion online design that ensure continuous high quality power even when the main AC power fails.

Utilize state of the art technology and components to withstand fluctuation of input main voltage. Extra wide input voltage and frequency range effectively reduces the discharging period of battery; thus prolong battery life.

Deliver 0.9 Power factor that can power 10-20% more load than traditional UPS, makes it suitable for latest server models. Additionally its high power density allows the rack to have a smaller

footprint. Liebert ITA uses soft-wire parallel operation mode without the need for complex parallel subrack, allowing the user to save on system cost

Liebert ITA achieves up to 95% efficiency in double conversion mode and up to 98.5% in ECO mode ensuring effective load protection while reducing the total cost of ownership (TCO) and environmental impact



Liebert® ITA™ 5-40 kVA

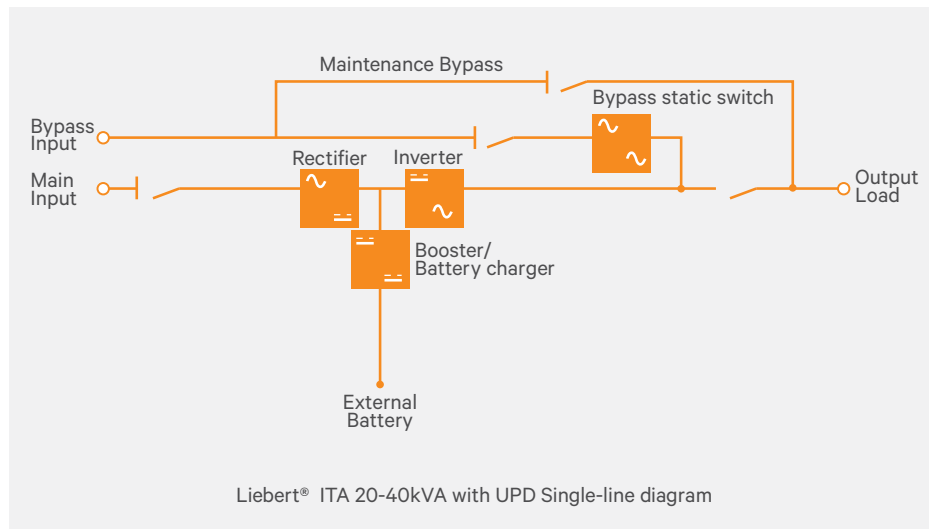
Compact, Efficient, and Reliable Power Solution



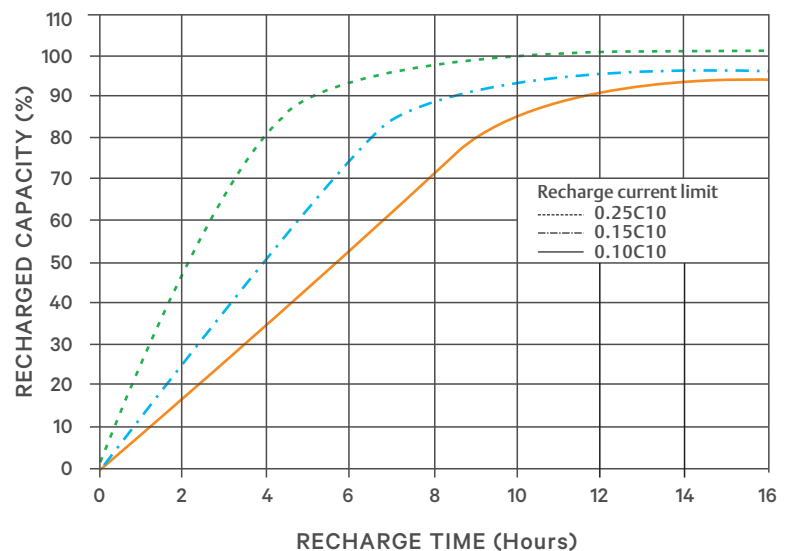
Exemplary Charging Capacity

The powerful battery charger of the Liebert® ITA™ allows the reduction in battery recharging time. Liebert® ITA™ back up time can be prolonged through cascaded connection or use of large capacity battery bank.

This means...it will recharge the same battery approximately **1.4 times faster** than a UPS with 3kW of charging power. **2 times faster** than an UPS with 2kW of charging power. Alternatively, it can charge a battery of 1.4 to 2 times larger capacity (Ah) in the same amount of time.

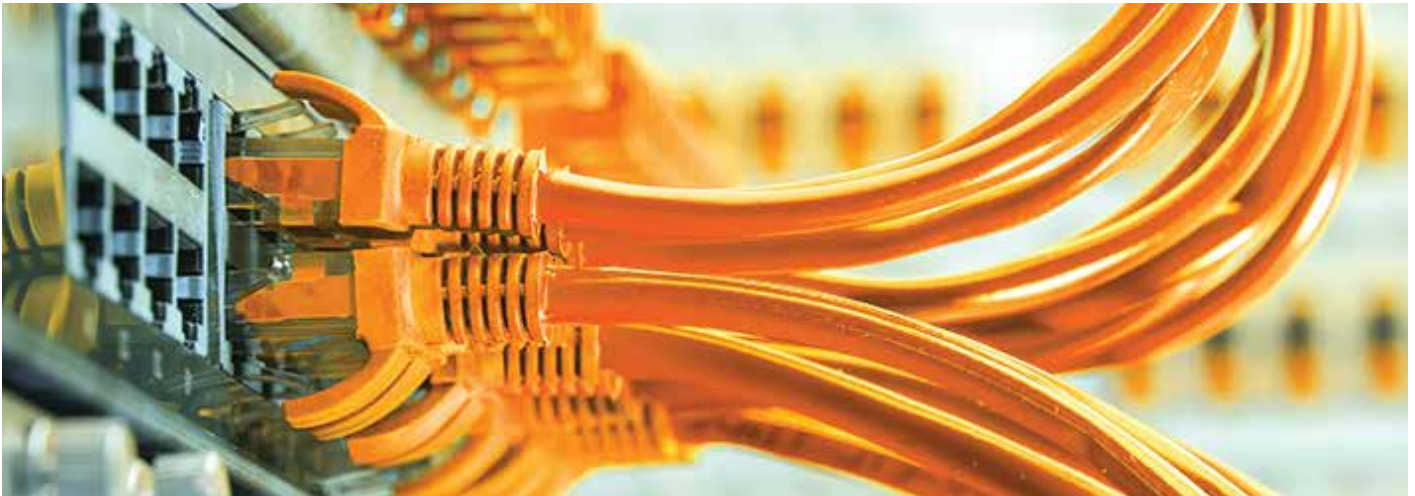


RECHARGE CURVES AT DIFFERENT CURRENT LIMIT



Liebert® ITA™ 5-40 kVA

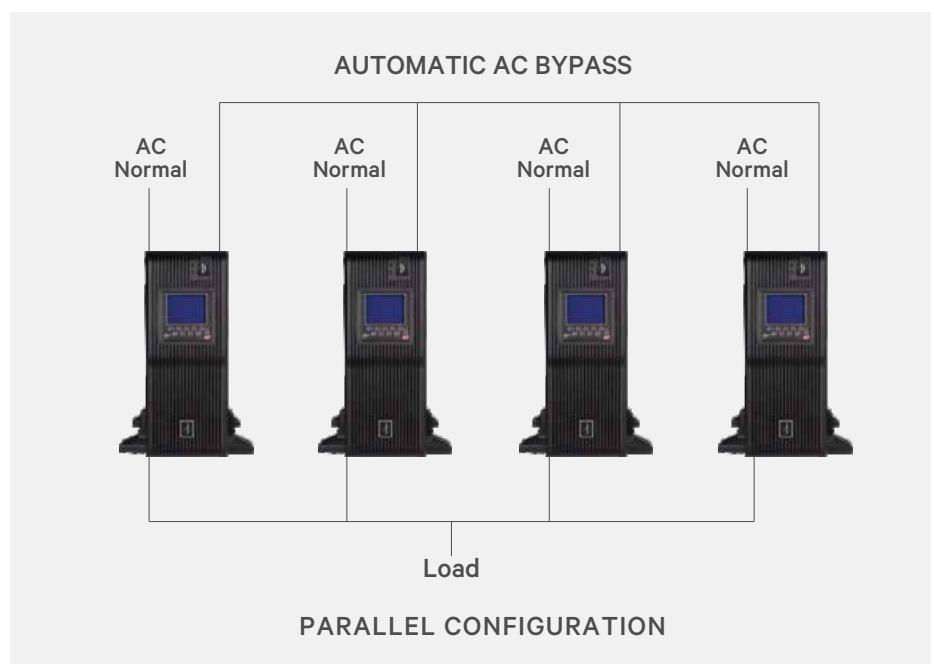
Compact, Efficient, and Reliable Power Solution



Parallel Ready

Liebert® ITA 5-20 kVA can be connected with up to four units parallel in N+X configuration, one of which is redundant. A single unit can be upgraded to parallel operation via easy to modify software settings which allow the system to be customized for the requested configuration. 30/40 can be connected up to two units in parallel

The loop BUS connection used in paralleling the system delivers ultimate reliability and eliminates the possibility of a single point of failure, ensuring perfect load sharing and fast detection of any variation in the system status.



Liebert® ITA™ 5-40 kVA

Compact, Efficient, and Reliable Power Solution



Communication and Option

Liebert® ITA offers the following communication features:

SIC card

Network monitoring SIC card, used for remote TCP/IP Web monitoring, supporting remote shutdown. It has expanded port to get access to temperature and humidity sensor.

Dry Contact card

Dry contact for UPS, providing four relay signal outputs

Modbus card

Select it when UPS needs to communicate with the building management system

RS 485 card

IT helps to connect UPS to RDU-A monitoring unit. Alternatively, it can be used to realise cascaded communication in parallel mode.

SiteMonitor software

Monitoring software in network version, divided as 5 nodes, 5 to 20 nodes and no restriction version

Rail/rack

Expansive rail, applicable to all kinds of server cabinet

10A charger module

Suitable for 6 to 10kVA equipment, providing additional 10A charging current, used for quick charging of ultra-long backup time (>4h)

LCD panel

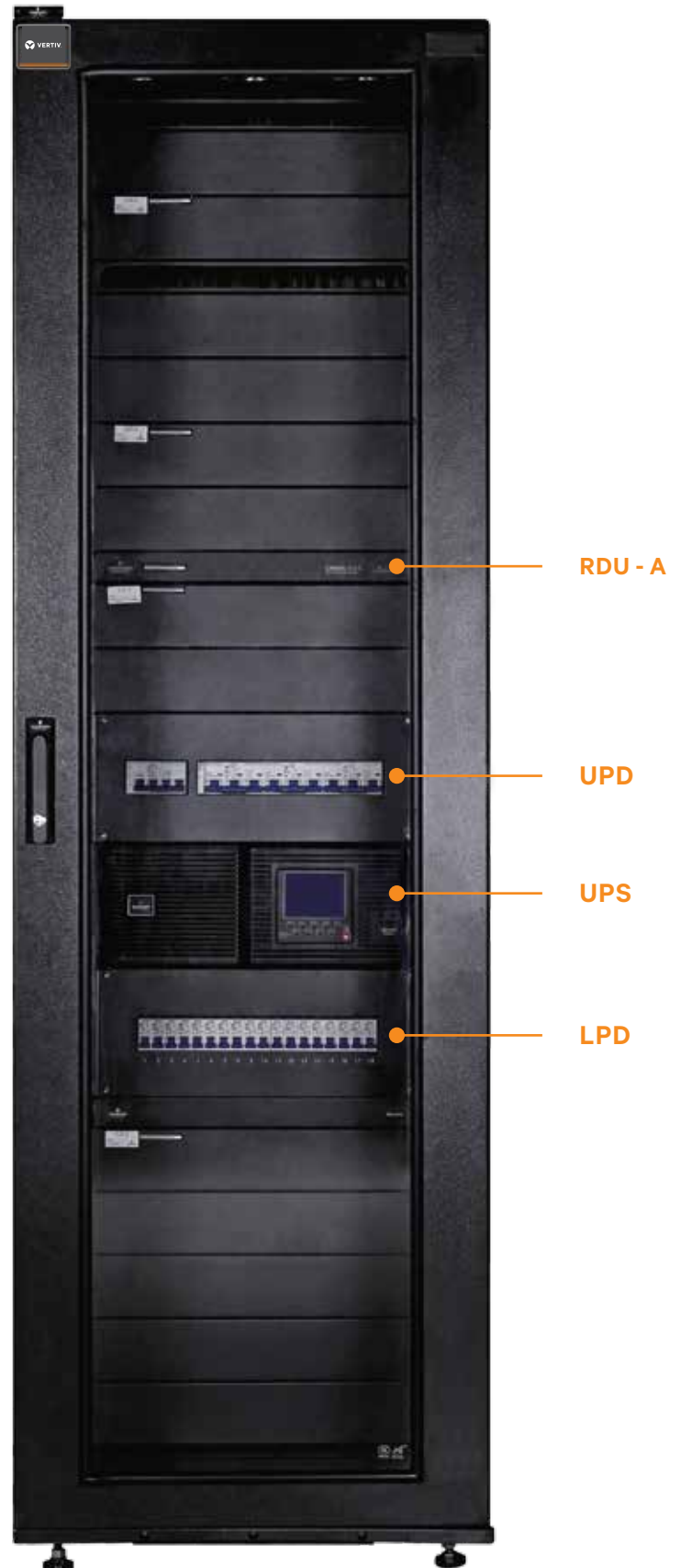
Suitable for 6 to 10kVA equipment, used for field substitution of LED panel and displaying UPS operation

Temperature & Humidity sensor

With LCD screen, the SIC card is needed to connect the temperature & humidity sensor

Battery module

2U, suitable for 6 to 20kVA equipment, with sixteen 12V cells



Liebert® ITA™ 5-40 kVA

Compact, Efficient, and Reliable Power Solution



VERTIV, LIEBERT SERVICES

Industry Experience

As long as data centers have existed, Liebert Services has been supporting data center infrastructure and providing integrated services for mission-critical environments.

System Wide Expertise

Nobody understands Liebert power equipment, precision cooling units and electrical infrastructure better than the experts at Liebert Services.

Technical Expertise

Our knowledge of systems and how they integrate into your overall facility makes us uniquely qualified to apply the latest technology and best practices to your power, precision cooling, and battery systems.

Unparalleled Responsiveness

With Liebert Services, you have 24/7 access to a network of data center infrastructure specialists armed with the knowledge and parts to resolve your problems. Anytime. Anywhere.

Fast, Efficient Problem Resolution

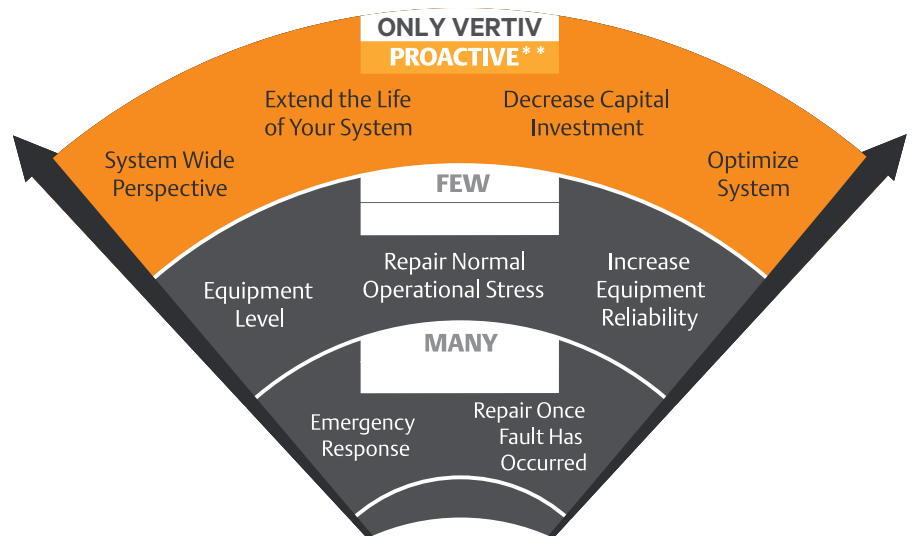
Only Liebert Services offers the right combination of industry, system, and technical expertise along with the extensive resources necessary to identify and understand any data center need and provide proactive solutions.

SUPPORT

Maximizing the performance and efficiency of your data center's uninterruptible power supply (UPS) and other power distribution systems requires they be properly maintained by factory-trained technicians.

Vertiv, Liebert® Services has the only service organization in the world that has been factory trained on Liebert power equipment and is continuously supported and updated by the engineers who built the equipment.

Our Customer Engineers have a better knowledge of how to maintain Liebert equipment and integrate it into the overall data center infrastructure support strategy than any service provider.



The Vertiv Difference

Many Services organizations can perform basic repair activities and maintain equipment at the some level of competency ,but Vertiv services can take your critical maintenance to the next level - proactive maintenance that can significantly extend the life of you power systems

Powered by
LIFE®.Technology
Remote diagnostic system

Maximize
availability
pre-emptive maintenance

Reduce
operating costs
superior asset management

Minimize
downtime
immediate identification of problem

Liebert® ITA™ 5-40 kVA

Compact, Efficient, and Reliable Power Solution



Liebert® ITA Technical Specification

Capacity	5 kVA	6 kVA	10 kVA	20 kVA	30 kVA	40 kVA
Input Parameters						
Rectifier Type	IGBT Rectifier					
Rated Voltage	220/380Vac single-phase three-wire/ three-phase four wire			380Vac, three-phase four wire		
Input voltage range	Single-phase 120Vac-276Vac/ Three-phase 228Vac-478Vac	Single-phase 120Vac-288Vac / Three-phase 228Vac-478Vac		Three-phase 228Vac-478Vac	Three-phase 305Vac-477Vac	
Input Freq Range	45 Hz - 55 Hz		45 Hz - 65 Hz		40 Hz - 70 Hz	
Input Power Factor	0.95 for Three Phase / >=0.99 for single Phase			>0.99 at Full Load		
Battery						
Battery Type	Lead Acid Maintenance Free					
Charging Capability	<3 Hr of recharging of Standard Model	<6 Hr of recharging of Standard Model	Max Charging Power 4.5kW		Max Charging Power 6kW	
No of Battery	16 Nos of Battery			30 - 40 (Selected on Site)		
Output Parameters						
Rated Power (kVA/kW)	5kVA/4.5kW	6kVA/4.8kW	10kVA/9kW	20kVA/18kW	30kVA/27kW	40kVA/36kW
Rated Voltage	Single Phase 230 /220 Vac			Three Phase 380/400/415 Vac and Single Phase 230/220 Vac	Three Phase 380/400/415 Vac	
Voltage Precision	3%			1%		
Frequency Precision	0.25%					
Output Voltage THD	<3% for Linear Load and <5% for Non Linear Load			<2% for Linear Load and <5% for Non Linear Load		
Load Crest Factor	3:1 Comply with IEC 62040-3					
Step Load Performance	100%					
Output Mode	Terminal Strip					
Overload Performance (% of Rated Load)	105%-125%; 1min	105%-125%; 5 Mins, 125%-150%; 1Min		105%-125%; 5 Mins, 125%-150%; 1Min		
System parameters and Standards						
Conversion Type	Online Double Conversion					
Parallel Mode	3+1				1+1	
Installation Mode	Rack/Tower Convertible					
System Efficiency @100%	Up to 91%		Up to 93%		Up to 94%	Up to 95%
Noise (dB)	<50dB		< 55dB		<58dB	
LCD Display	Yes (Optional)			Yes (Standard)		
Safety	IEC/EN62040-1-1					
Electromagnetic Compatibility	IEC/EN62040-1-2, IEC/EN61000-3-11, IEC/EN61000-3-12, YD/T1095-2008					
Surge Protection	IEC/EN62040-2, meeting IEC/EN61000-4-5					
Protection Level	IP 20					
Dimension (mm)	430x625x85	435x640x85		435x750x130(3U)	484.6x800x176	
Net Weight (kg)	17.8	21.5		35	72	
Communication Option						
Interface Type	USB/Intelligent Slot (Dry Contact Card/ Modbus Card/ RS 485 Card)					
Management Software	Site Monitor					
Environmental Parameters						
Operating Temp*	0 - 40°C					
Relative Humidity	5-95% without Condensation					
Max Altitude	<1500m(when the altitude exceeds 1500m, derating is required according to GB/T3859.2)			<2000m (when the altitude exceeds 2000m)		≥1000 (derate power by 1% per 100m when above 100m)

*Specifications are subject to change without any prior notification



VertivCo.com | E-mail : marketing.india@vertivco.com | Toll free : 1-800-2096070

Vertiv Energy Private Limited | Plot C-20, Rd No.19, Wagle Ind Estate, Thane (W), 400604. India

© 2017 Vertiv Co. All rights reserved.